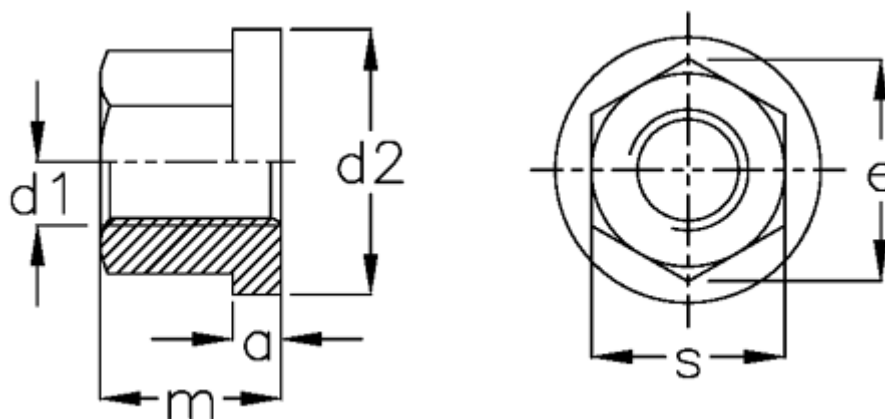


Article number: 20818511

Description: E+G Collar nut
DIN 6331-M10

Measures



a = 4.0
d1 = M10
d2 = 22
e = 18.0
m = 15
s = 16